



# Installation Guide

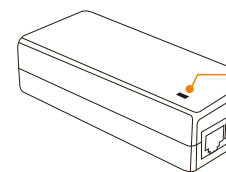
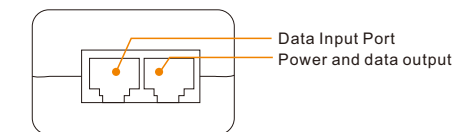
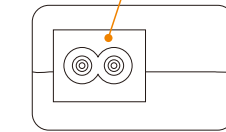
## PoE Injector / PoE Splitter

www.wireless-tek.com

### 1. Hardware Introduction

#### 1.1 WI-POE31-48V / WI-POE51-48V / WI-POE31-24V / WI-POE51-24V / WI-POE55-48V-60W

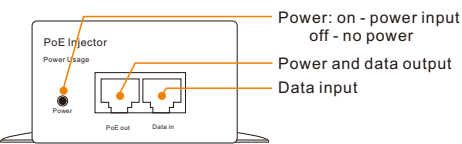
AC Power Input Socket



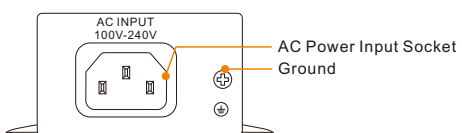
Power indicator: on - power input  
off - no power

Package Contents: 1xPoE Injector 1xPower Cord 1x Quick Installation Guide

#### 1.2 PoE injector -- WI-POE58-BT/WI-POE65-2.5G-60W



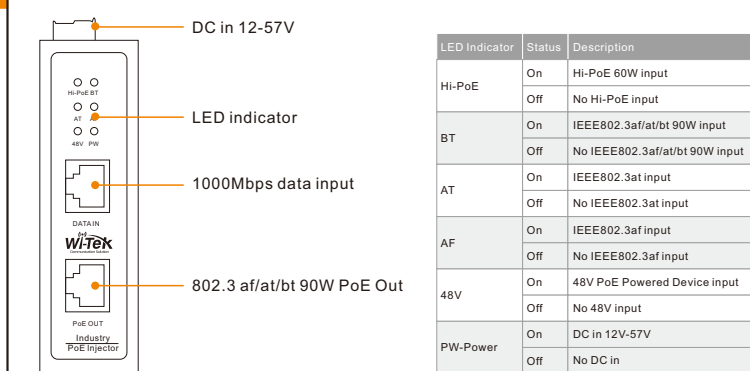
Power: on - power input  
off - no power  
Power and data output  
Data input



AC Power Input Socket  
Ground

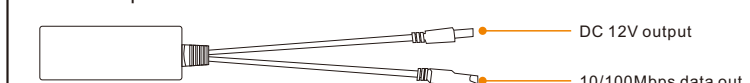
Package Contents: 1xPoE Injector 1xPower Cord 1x Quick Installation Guide

#### 1.3 PoE Injector -- WI-POE58-BT-I-DC



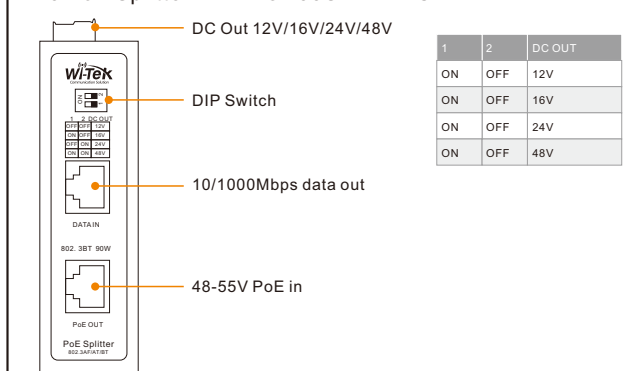
Package Contents: 1xPoE Injector 1xPower Cord 1x Quick Installation Guide

#### 1.4 PoE Splitter --WI-POE11S-48V



Package Contents: 1xPoE Splitter

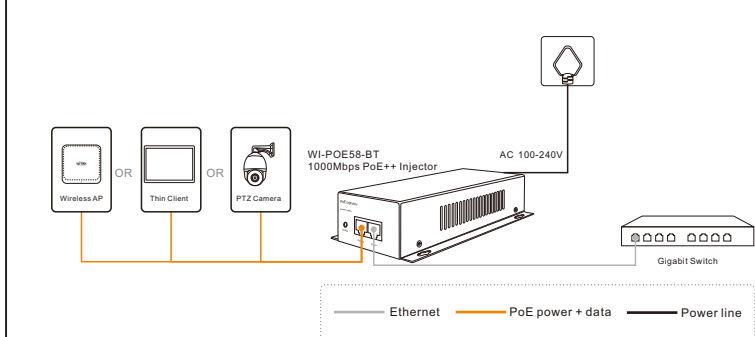
#### 1.5 PoE Splitter --WI-POE55S-BT-I-DC



Package Contents: 1xPoE Injector 1xPower Cord 1x Quick Installation Guide

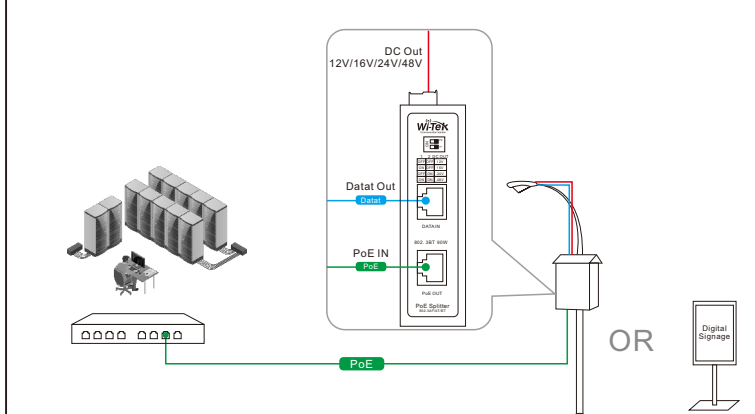
### 2. Hardware Installation

#### 2.1 PoE Injector (WI-POE58-BT)



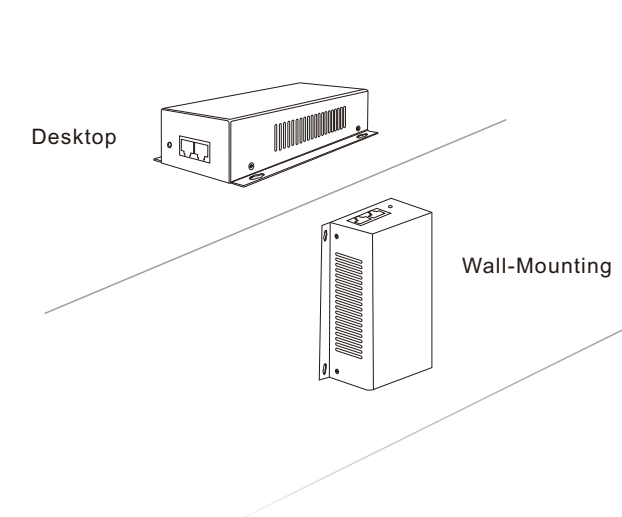
1. Connect an Ethernet device to the IN port of the PoE injector.
2. Connect a PoE Powered device to the OUT port of the PoE injector.
3. Use the power cord to connect the PoE Injector's AC INPUT port.
4. AC INPUT port.

#### 2.2 PoE Splitter (WI-POE58-BT)

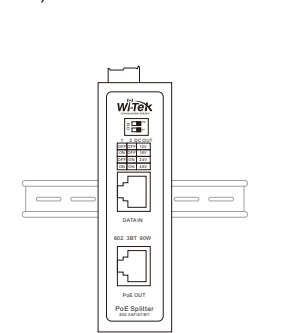


### 3. Installation Way

#### 3.1 Wall Mount (Optional)



#### 3.2 Din-rail Mount (Optional)



### 4. Product Family

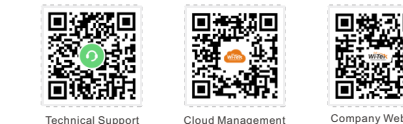
Product	Interface	Power Supply	Data IN	PoE OUT	Power Budget
WI-POE31-48V	2FE	AC IN 100-240V	100Mbps	802.3af/at	30W
WI-POE51-48V	2GE	AC IN 100-240V	1000Mbps	802.3af/at	30W
WI-POE31-24V	2FE	AC IN 100-240V	100Mbps	Passive 24V	24W
WI-POE51-24V	2GE	AC IN 100-240V	1000Mbps	Passive 24V	24W
WI-POE55-48V-60W	2GE	AC IN 110-240V	1000Mbps	Hi-PoE 60W	60W
WI-POE58-BT	2GE	AC IN 100-240V	1000Mbps	802.3 af/at/bt 90W	90W
WI-POE58-BT-I-DC	2GE	DC IN 12-57V	1000Mbps	802.3 af/at/bt 90W	90W

Product	Interface	PoE IN	Data Out	Power Out
WI-POE55S-BT-I-DC	2GE	48-55V PoE IN	1000Mbps	DC output 12V/16V/24V/48V
WI-POE11S-48V	2FE	802.3 af/at	100Mbps	DC output 12V

### Warranty Card

Username	
Address	
Telephone No.	
Purchase Shop	
Purchase Address	
Product Model No.	
Purchase Time	
Serial No.	
Dealer Signature	

- If the product defects within three months after purchase, we will provide you a new product of the same model.
- If the product defects within the three-year warranty period, we will provide the professional maintenance service.
- Proof of purchase and a complete product serial number are required to receive any services guaranteed as part of the limited warranty.
- Any other defects that are not caused by workmanship or product quality, such as natural disaster, water damage, extreme thermal or environmental conditions, sticker damaged, warranty card losing will disqualify the product from limited warranty.



Wireless-Tek Technology Limited  
Address: Biaofang Technology Building 402, Bao'an street,  
Baoan District, Shenzhen City, Guangdong, China  
Website: www.wireless-tek.com  
Tel: 86-0755-32811290  
Email: sales@wireless-tek.com  
Technical Support: tech@wireless-tek.com

