

DS-2CD2421G0-I(D)(W) 2 MP IR Fixed Cube Network Camera



- 1/2.7" Progressive Scan CMOS
- 1920 × 1080@30fps
- H.265, H.265+, H.264, H.264+
- Two-way Audio

- PIR: 10 m
- IR range: Up to 10 m
- Built-in micro SD/SDHC/SDXC card slot, up to 256 GB
- Wi-Fi (Optional)



Specifications

| Camera | |
|-----------------------------|--|
| Image Sensor | 1/2.7" Progressive Scan CMOS |
| Min. Illumination | Color: 0.028 Lux @ (F2.0, AGC ON) |
| Shutter Speed | 1/3 s to 1/100,000 s |
| Slow Shutter | Yes |
| Day & Night | IR Cut Filter |
| WDR | DWDR |
| Angle Adjustment | Pan: 0° to 360°, Tilt: 0° to 90°, Rotate: 0° to 360° |
| Lens | |
| Lens Type | Fixed lens, 2 mm/2.8 mm/4 mm |
| Aperture | F2.0 |
| FOV | 2 mm: horizontal FOV: 132°, vertical FOV: 77°, diagonal FOV: 153° 2.8 mm: horizontal FOV: 107°, vertical FOV: 57°, diagonal FOV: 126° 4 mm: horizontal FOV: 85°, vertical FOV: 45°, diagonal FOV: 101° |
| Lens Mount | M12 |
| Illuminator | |
| IR Range | Up to 10 m |
| Wavelength | 850 nm |
| PIR | |
| Angle | Horizontal: 90°, vertical: 80° |
| Range | 10 m |
| Video | |
| Max. Resolution | 1920 × 1080 |
| Main Stream | 50Hz: 25fps (1920 × 1080, 1280 × 720) 60Hz: 30fps (1920 × 1080, 1280 × 720) |
| Sub-Stream | 50Hz: 25fps (640 × 360) 60Hz: 30fps (640 × 360) |
| Video Compression | Main stream: H.265+/H.264+/H.265/H.264 Sub-stream: H.265/H.264/MJPEG |
| H.264 Type | Baseline Profile/Main Profile |
| H.265 Type | Main Profile |
| Video Bit Rate | 32 Kbps to 8 Mbps |
| Audio | |
| Audio Compression | G.711/G.722.1/G.726/MP2L2/PCM |
| Audio Bit Rate | 64Kbps(G.711)/16Kbps(G.722.1)/16Kbps(G.726)/32-160Kbps(MP2L2) |
| Environment Noise Filtering | Yes |
| Audio Sampling Rate | 8 kHz/16 kHz |

| Smart Feature-Set | |
|----------------------------------|--|
| Basic Event | Motion detection, video tampering alarm, exception (network disconnected, IP address conflict, illegal login, HDD full, HDD error) |
| Linkage Method | Upload to FTP/NAS/memory card, notify surveillance center, trigger recording, trigger capture, audible warning |
| Image | |
| Image Enhancement | BLC, HLC, 3D DNR |
| Image Setting | Saturation, brightness, contrast, sharpness, AGC and white balance adjustable by client software or web browser |
| Day/Night Switch | Day/Night/Auto/Schedule |
| SNR | > 50dB |
| Network | |
| Network Storage | microSD/SDHC/SDXC card (256 GB) local storage, ANR and NAS (NFS,SMB/CIFS) |
| Protocols | TCP/IP, ICMP, DHCP, DNS, DDNS, RTP, RTSP, NTP, UPnP, SMTP, IGMP, IPv6, UDP, QoS, Bonjour |
| API | ONVIF(PROFILE S,PROFILE G), ISAPI, SDK |
| Security | Password protection, complicated password, IP address filter, Watermark, HTTPS encryption, basic and digest authentication for HTTP/HTTPS, WSSE and digest authentication for ONVIF, 802.1X authentication (EAP-MD5) |
| Simultaneous Live View | Up to 6 channels |
| User/Host | Up to 32 users, 3 levels: administrator, operator and user |
| Client | iVMS-4200, Hik-Connect, iVMS-4500, iVMS-5200 |
| Web Browser | IE8+, Chrome 31.0-44, Firefox30.0-51, Safari8.0+ |
| Interface | |
| Communication Interface | 1 RJ45 10M/100M self-adaptive Ethernet port |
| Audio | 1 input (built-in microphone), 1 output (built-in speaker) |
| On-board storage | Built-in micro SD/SDHC/SDXC slot, up to 256 GB |
| Wi-Fi | |
| Protocol | IEEE802.11b, 802.11g, 802.11n |
| Frequency | 2.4 GHz - 2.4835 GHz |
| Channel Bandwidth | 20/40MHz Support |
| Modulation | 802.11b: DSSS, 802.11g: OFDM, 802.11n(20MHz&40MHz): OFDM |
| Security | 64/128-bit WEP, WPA-EAP/WPA2-EAP, WPA-PSK/WPA2-PSK |
| Transfer Rate | 11b: 11Mbps, 11g: 54Mbps, 11n: up to 150Mbps |
| Wireless Range | 50 meters (The performance varies based on actual environment) |
| General | |
| General Function | Anti-flicker, heartbeat, mirror, password protection, privacy mask, flash log |
| Reset | Reset via reset button on camera body, web browser and client software |
| Startup and Operating Conditions | -10 °C to 40°C (14 °F to 104 °F), humidity 95% or less (non-condensing) |
| Storage Conditions | -10 °C to 40°C (14 °F to 104 °F), humidity 95% or less (non-condensing) |

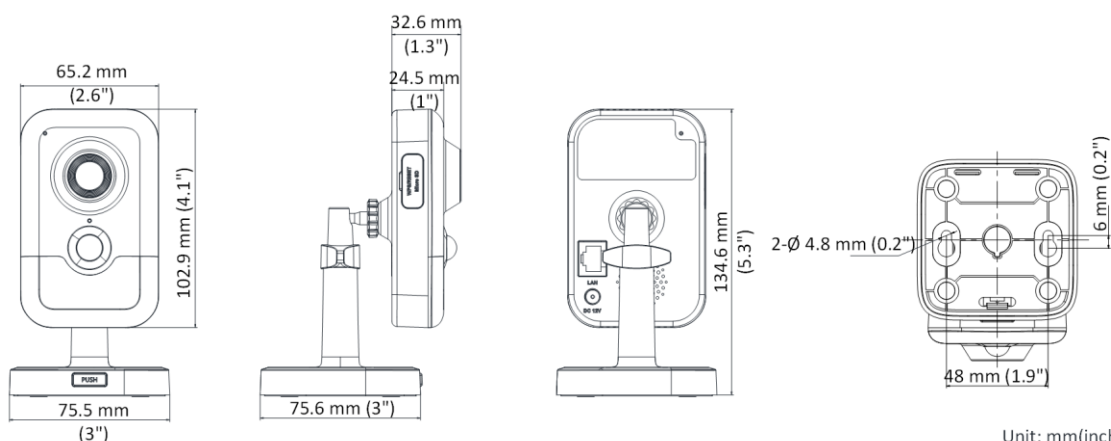
| | |
|-------------------------------|--|
| Power Supply | DS-2CD2421G0-IW: 12 VDC \pm 25%, Φ 5.5 mm coaxial power plug; PoE (802.3af, class 3) DS-2CD2421G0-IDW: 12 VDC \pm 25%, Φ 5.5 mm coaxial power plug DS-2CD2421G0-I: 12 VDC \pm 25%, Φ 5.5 mm coaxial power plug; PoE (802.3af, class 3) |
| Power Consumption and Current | DS-2CD2421G0-IW: 12 VDC, 0.54 A, max. 6.5 W PoE (802.3af, 36 V to 57 V), 0.21 A to 0.13 A, max. 7.5 W DS-2CD2421G0-IDW: 12 VDC, 0.54 A, max. 6.5 W DS-2CD2421G0-I: 12 VDC, 0.42 A, max. 5 W PoE (802.3af, 36 V to 57 V), 0.17 A to 0.11 A, max. 6 W |
| Material | Plastic |
| Dimensions | Camera: 102.9 \times 65.2 \times 32.6 mm (4" \times 2.6" \times 1.3") With package: 150 \times 125 \times 99 mm (5.9" \times 4.9" \times 3.9") |
| Weight | Camera: Approx. 120 g (0.3 lb.) With package: Approx. 380 g (0.8 lb.) |
| Approval | |
| EMC | FCC (47 CFR Part 15, Subpart B); CE-EMC (EN 55032: 2015, EN 61000-3-2: 2014, EN 61000-3-3: 2013, EN 50130-4: 2011 +A1: 2014); RCM (AS/NZS CISPR 32: 2015); IC (ICES-003: Issue 6, 2016); KC (KN 32: 2015, KN 35: 2015) |
| Safety | UL (UL 60950-1); CB (IEC 60950-1:2005 + Am 1:2009 + Am 2:2013); CE-LVD (EN 60950-1:2005 + Am 1:2009 + Am 2:2013); BIS (IS 13252(Part 1):2010+A1:2013+A2:2015); LOA (IEC/EN 60950-1) |
| Chemistry | CE-RoHS (2011/65/EU); WEEE (2012/19/EU); Reach (Regulation (EC) No 1907/2006) |

* Listed resolutions are only selectable options. It does not mean that all streams can work at their maximum resolution at the same time.

Available Model

DS-2CD2421G0-IDW (2.8 mm), DS-2CD2421G0-IW (2.8 mm), DS-2CD2421G0-I (2.8 mm)

Dimension



Distributed by

**HIKVISION®****Headquarters**

No.555 Qianmo Road, Binjiang District,
Hangzhou 310051, China
T +86-571-8807-5998
overseasbusiness@hikvision.com

Hikvision USA
T +1-909-895-0400
sales.usa@hikvision.com

Hikvision Australia
T +61-2-8599-4233
salesau@hikvision.com

Hikvision India
T +91-22-28469900
sales@pramahikvision.com

Hikvision Canada
T +1-866-200-6690
sales.canada@hikvision.com

Hikvision Thailand
T +662-275-9949
sales.thailand@hikvision.com

Hikvision Europe
T +31-23-5542770
sales.eu@hikvision.com

Hikvision Italy
T +39-0438-6902
info.it@hikvision.com

Hikvision Brazil
T +55 11 3318-0050
Latam.support@hikvision.com

Hikvision Turkey
T +90 (216)521 7070- 7074
sales.tr@hikvision.com

Hikvision Malaysia
T +601-7652-2413
sales.my@hikvision.com

Hikvision UK & Ireland
T +01628-902140
sales.uk@hikvision.com

Hikvision South Africa
Tel: +27 (10) 0351172
sale.africa@hikvision.com

Hikvision France
T +33(0)1-85-330-450
info.fr@hikvision.com

Hikvision Kazakhstan
T +7-727-9730667
nikia.panfilov@hikvision.ru

Hikvision Vietnam
T +84-974270888
sales.vt@hikvision.com

Hikvision UAE
T +971-4-4432090
salesme@hikvision.com

Hikvision Singapore
T +65-6684-4718
sg@hikvision.com

Hikvision Spain
T +34-91-737-16-55
info.es@hikvision.com

Hikvision Tashkent
T +99-87-1238-9438
uzb@hikvision.ru

Hikvision Hong Kong
T +852-2151-1761
info.hk@hikvision.com

Hikvision Russia
T +7-495-669-67-99
sateru@hikvision.com

Hikvision Korea
T +82-(0)31-731-8817
sales.korea@hikvision.com

Hikvision Poland
T +48-22-460-01-50
info.pl@hikvision.com

Hikvision Indonesia
T +62-21-2933759
Sales.Indonesia@hikvision.com

Hikvision Colombia
sales.colombia@hikvision.com